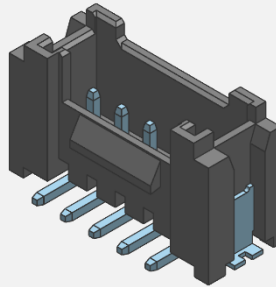
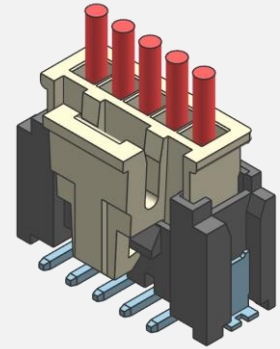


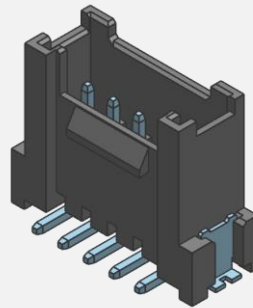
SMH200-NN



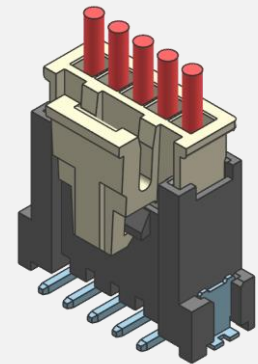
SMW200-HNNG



Mating View



SMW200-HNNG3



Mating View

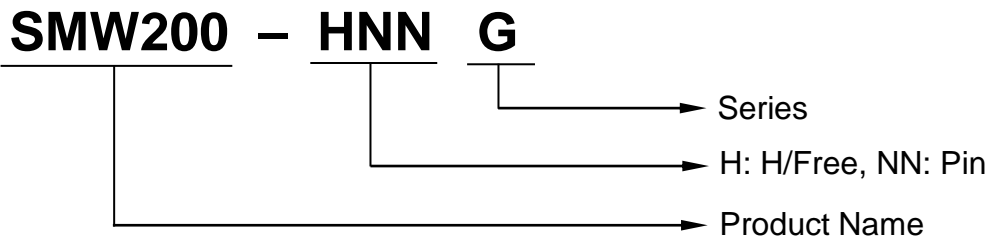
□ Feature

1. This Product is a Wire to board Connector
2. Product Height is 10.0mm , 14.10mm
3. This Connector Type is Vertical
4. Uses this connector in Reflow soldering
5. The product is the G series integrated catalog

□ Product Specification

| Item | Specification |
|-----------------------|--|
| Operating Voltage | AC/DC 250V |
| Current Rating | AC/DC 3A |
| Operating Temperature | -25°C ~ +85°C |
| Insulation resistance | 1000MΩ |
| Withstanding voltage | No flash over and no physical damage |
| Contact resistance | 30mΩ MAX |
| Durability | Contact Resistance : 50mΩ MAX |
| Vibration | 1) Contact Resistance : 50mΩ MAX 2) Discontinue : 1μsec MAX |

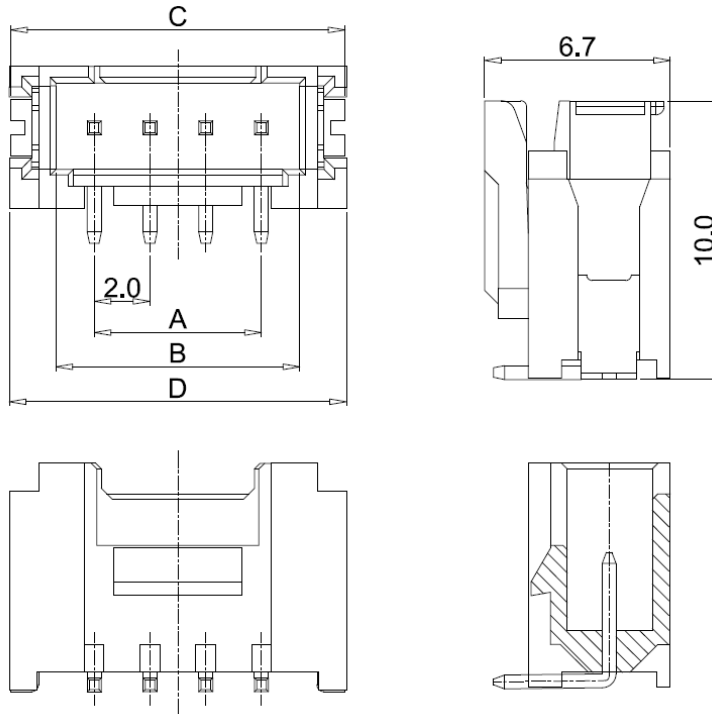
□ Ordering Code



□ Material / Plating

| Part | Material | Plating / Color |
|----------|--------------|-----------------|
| Wafer | LCP | Natural |
| Pin | Copper Alloy | Sn Plating |
| Hook | Copper Alloy | Sn Plating |
| Cover | PA계열 | Black |
| Housing | PA계열 | White |
| Terminal | Copper Alloy | Sn Plating |

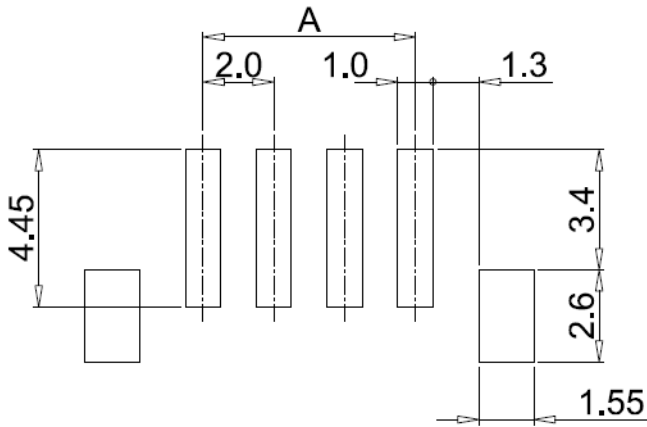
□ Connector Dimension/ **SMAW200-HNNG**



| Part No. | Pin | A | B | C | D |
|-------------|-----|------|------|------|------|
| SMW200-H02G | 2 | 2.0 | 4.7 | 7.9 | 8.0 |
| SMW200-H04G | 4 | 6.0 | 8.7 | 11.9 | 12.0 |
| SMW200-H06G | 6 | 10.0 | 12.7 | 15.9 | 16.0 |
| SMW200-H08G | 8 | 14.0 | 16.7 | 19.9 | 20.0 |
| SMW200-H10G | 10 | 18.0 | 20.7 | 23.9 | 24.0 |
| SMW200-H12G | 12 | 22.0 | 24.7 | 27.9 | 28.0 |
| SMW200-H14G | 14 | 26.0 | 28.7 | 31.9 | 32.0 |
| SMW200-H16G | 16 | 30.0 | 32.7 | 35.9 | 36.0 |

※ Contact Yeonho Sales representative if considering use of non-specified circuits

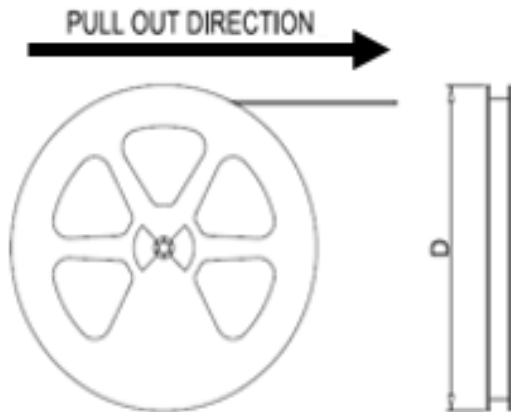
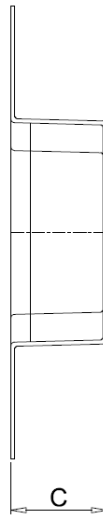
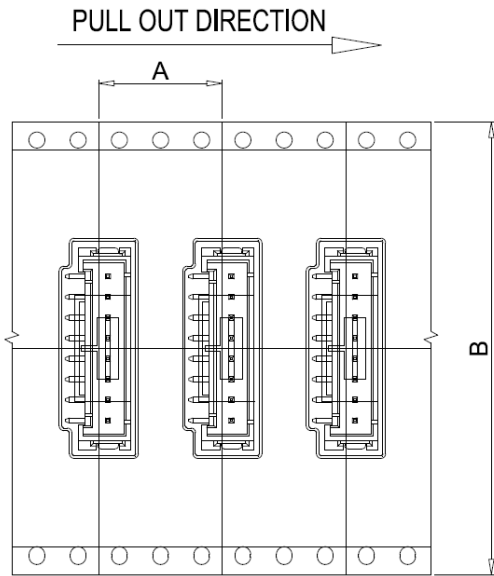
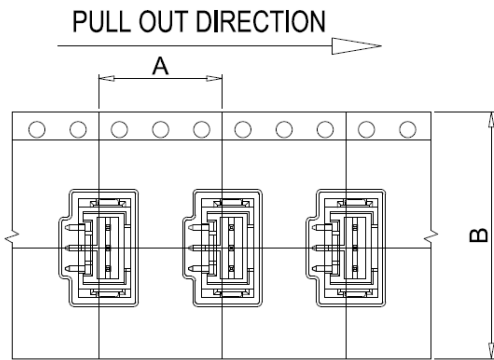
□ PCB Pattern Dimension/ SMAW200-HNNG



| Pin | A |
|-----|------|
| 2 | 2.0 |
| 4 | 6.0 |
| 6 | 10.0 |
| 8 | 14.0 |
| 10 | 18.0 |
| 12 | 22.0 |
| 14 | 26.0 |
| 16 | 30.0 |

※ Contact Yeonho Sales representative if considering use of non-specified circuits

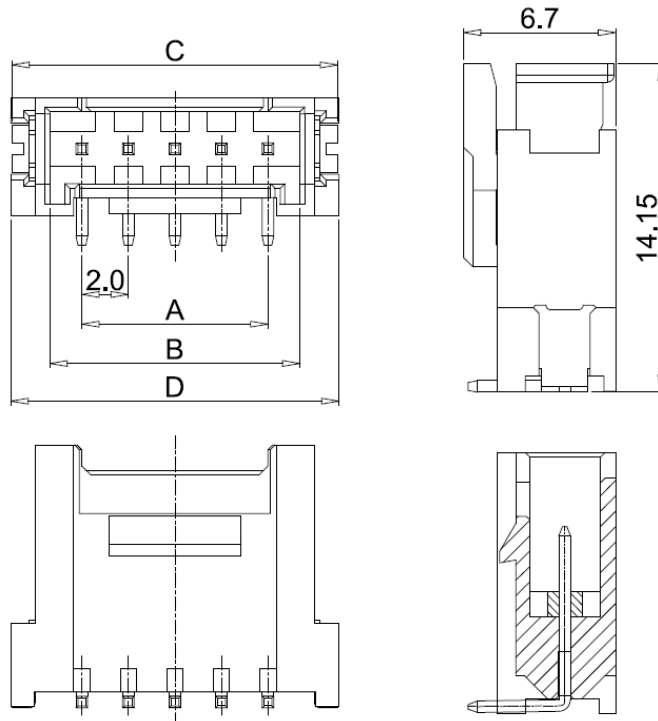
□ Packing Dimension/ SMAW200-HNNG



| Pin | A | B | C | D |
|-----|----|----|------|------|
| 2 | 12 | 24 | 9.35 | Φ380 |
| 4 | 12 | 24 | 9.35 | Φ380 |
| 6 | 12 | 24 | 9.35 | Φ380 |
| 8 | 12 | 32 | 9.35 | Φ380 |
| 10 | 12 | 44 | 9.35 | Φ380 |
| 12 | 12 | 44 | 9.35 | Φ380 |
| 14 | 12 | 56 | 9.35 | Φ380 |
| 16 | 12 | 56 | 9.35 | Φ380 |

※ Contact Yeonho Sales representative if considering use of non-specified circuits

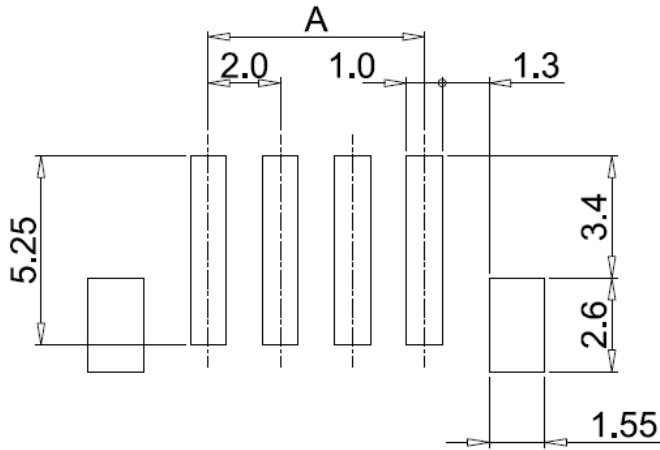
□ Connector Dimension/ **SMW200-HNNG3**



| Part No. | Pin | A | B | C | D |
|--------------|-----|------|------|------|------|
| SMW200-H02G3 | 2 | 2.0 | 4.7 | 7.9 | 8.0 |
| SMW200-H04G3 | 4 | 6.0 | 8.7 | 11.9 | 12.0 |
| SMW200-H06G3 | 6 | 10.0 | 12.7 | 15.9 | 16.0 |
| SMW200-H08G3 | 8 | 14.0 | 16.7 | 19.9 | 20.0 |
| SMW200-H10G3 | 10 | 18.0 | 20.7 | 23.9 | 24.0 |
| SMW200-H12G3 | 12 | 22.0 | 24.7 | 27.9 | 28.0 |
| SMW200-H14G3 | 14 | 26.0 | 28.7 | 31.9 | 32.0 |
| SMW200-H16G3 | 16 | 28.0 | 30.7 | 33.9 | 34.0 |

※ Contact Yeonho Sales representative if considering use of non-specified circuits

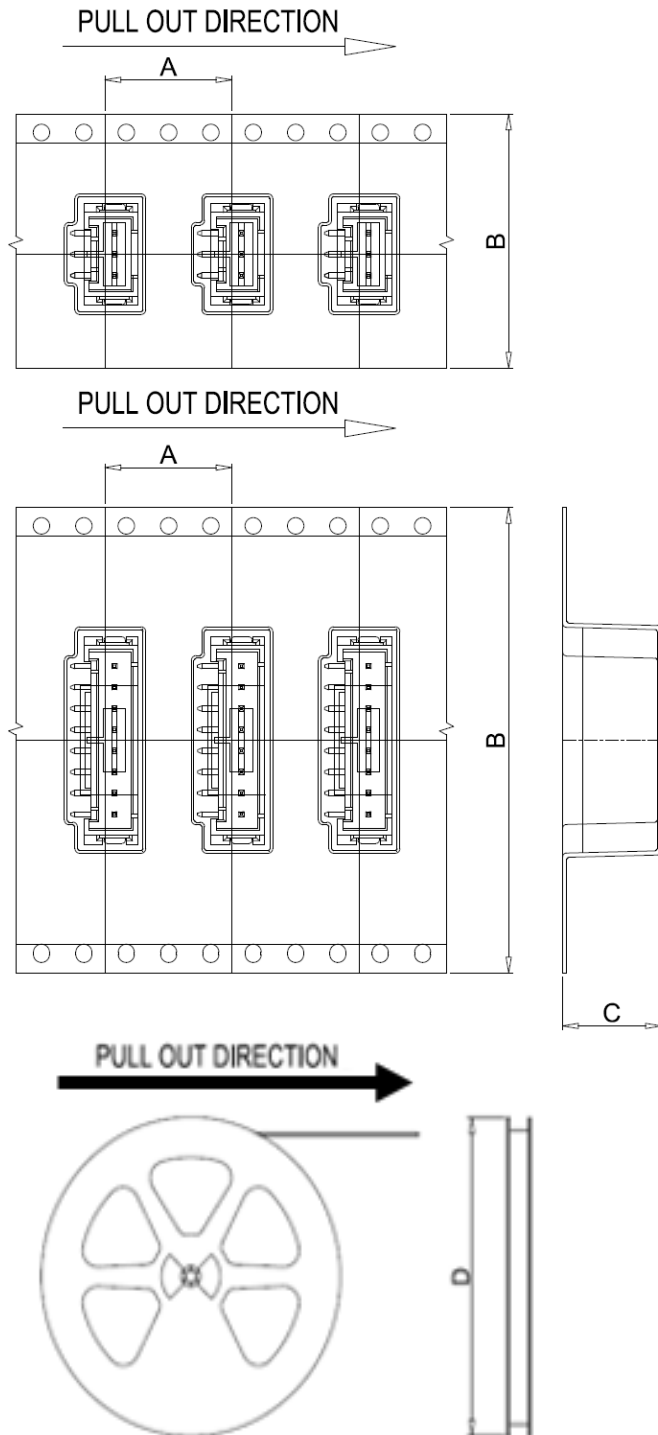
□ PCB Pattern Dimension/ **SMW200-HNNG3**



| Pin | A |
|-----|------|
| 2 | 2.0 |
| 4 | 6.0 |
| 6 | 10.0 |
| 8 | 14.0 |
| 10 | 18.0 |
| 12 | 22.0 |
| 14 | 26.0 |
| 16 | 30.0 |

※ Contact Yeonho Sales representative if considering use of non-specified circuits

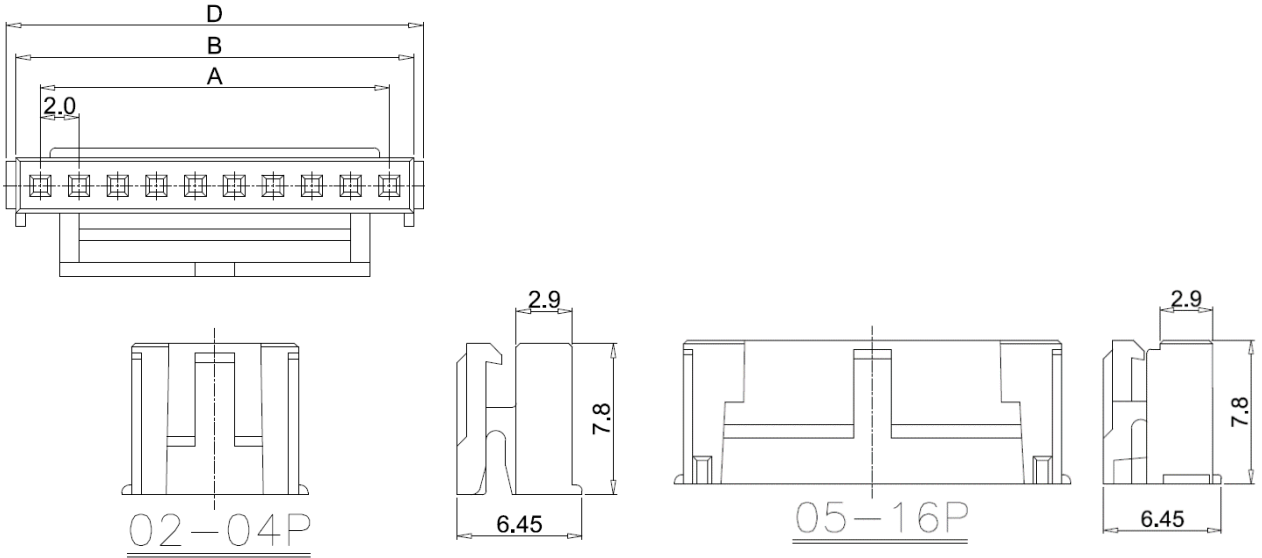
□ Packing Dimension/ **SMW200-HNNG3**



| Pin | A | B | C | D |
|-----|----|----|------|------|
| 2 | 12 | 24 | 9.35 | Φ380 |
| 3 | 12 | 24 | 9.35 | Φ380 |
| 4 | 12 | 24 | 9.35 | Φ380 |
| 5 | 12 | 24 | 9.35 | Φ380 |
| 6 | 12 | 24 | 9.35 | Φ380 |
| 8 | 12 | 32 | 9.35 | Φ380 |
| 9 | 12 | 44 | 9.35 | Φ380 |
| 10 | 12 | 44 | 9.35 | Φ380 |
| 11 | 12 | 44 | 9.35 | Φ380 |
| 12 | 12 | 44 | 9.35 | Φ380 |
| 13 | 12 | 56 | 9.35 | Φ380 |
| 14 | 12 | 56 | 9.35 | Φ380 |
| 15 | 12 | 56 | 9.35 | Φ380 |

※ Contact Yeonho Sales representative if considering use of non-specified circuits

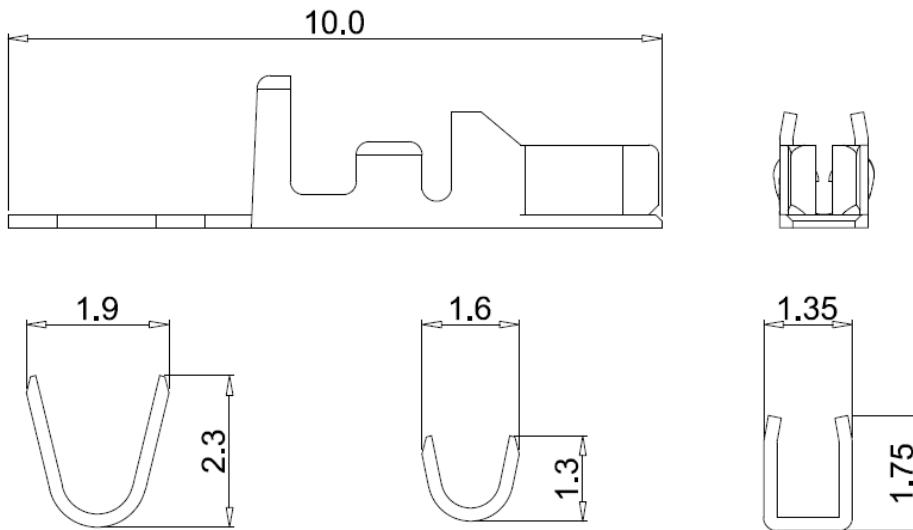
□ Connector Dimension/ SMH200-NN



| Part No. | Pin | A | B | D |
|-----------|-----|------|------|------|
| SMH200-02 | 2 | 2.0 | 4.6 | 5.6 |
| SMH200-04 | 4 | 6.0 | 8.6 | 9.6 |
| SMH200-06 | 6 | 10.0 | 12.6 | 13.6 |
| SMH200-08 | 8 | 14.0 | 16.6 | 17.6 |
| SMH200-10 | 10 | 18.0 | 20.6 | 21.6 |
| SMH200-12 | 12 | 22.0 | 24.6 | 25.6 |
| SMH200-14 | 14 | 26.0 | 30.6 | 29.6 |
| SMH200-15 | 15 | 30.0 | 34.6 | 33.6 |

※ Contact Yeonho Sales representative if considering use of non-specified circuits

□ Connector Dimension/ **YST200**



| Part Name | Housing Name | Plating | Wire Size |
|-----------|--------------|------------|-------------|
| YST200 | SMH200-NN | Sn-Plating | AWG #24~#26 |

※ Contact Yeonho Sales representative if considering use of non-specified circuits