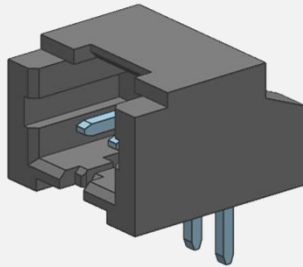
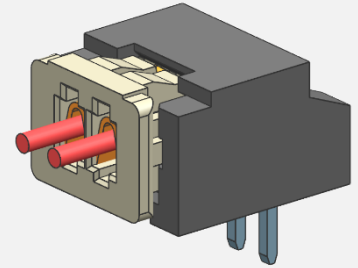


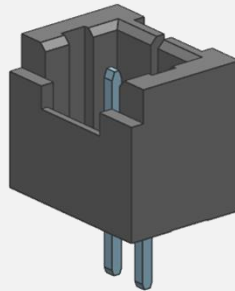
12505**HS**-NN



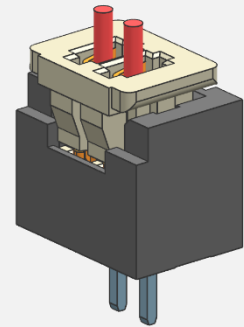
12512**WR**-NNB



Mating View



12512**WS**-NNB



Mating View

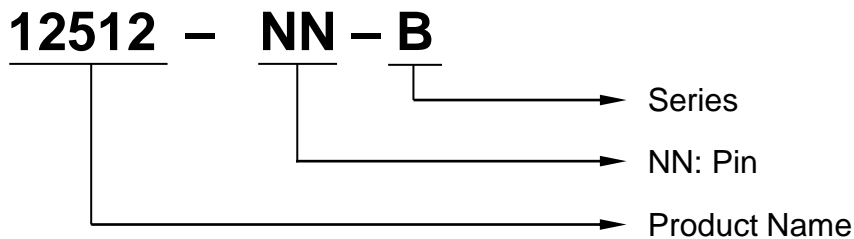
□ Feature

1. This Product is a Wire to board Connector
2. Product Height is 3.7mm , 5.15mm
3. This Connector Type is Vertical , Horizontal
4. Uses this connector in Wave soldering
5. This Product is a Bulk Packing method

□ Product Specification

Item	Specification
Operating Voltage	AC/DC 125V
Current Rating	AC/DC 1A
Operating Temperature	-25°C ~ +85°C
Insulation resistance	100MΩ
Withstanding voltage	No flash over and no physical damage
Contact resistance	30mΩ MAX
Durability	Contact Resistance : 50mΩ MAX
Vibration	1) Contact Resistance : 50mΩ MAX 2) Discontinue : 1μsec MAX

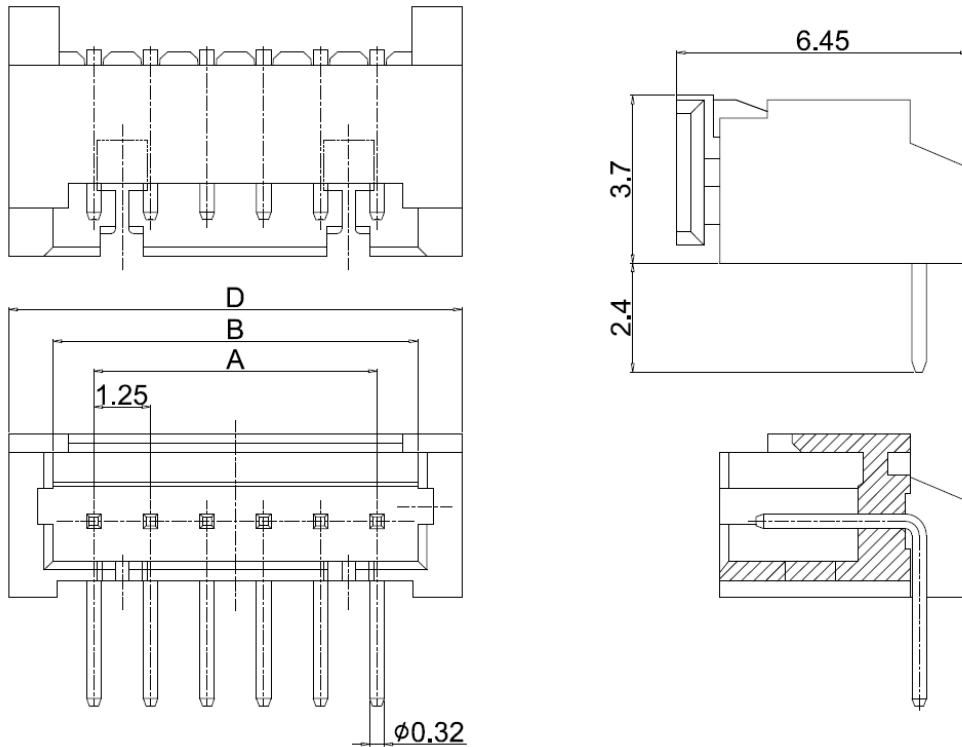
□ Ordering Code



□ Material / Plating

Part	Material	Plating / Color
Wafer	PA계열	Natural
Pin	Copper Alloy	Sn Plating
Housing	PA계열	Natural
Terminal	Copper Alloy	Sn Plating

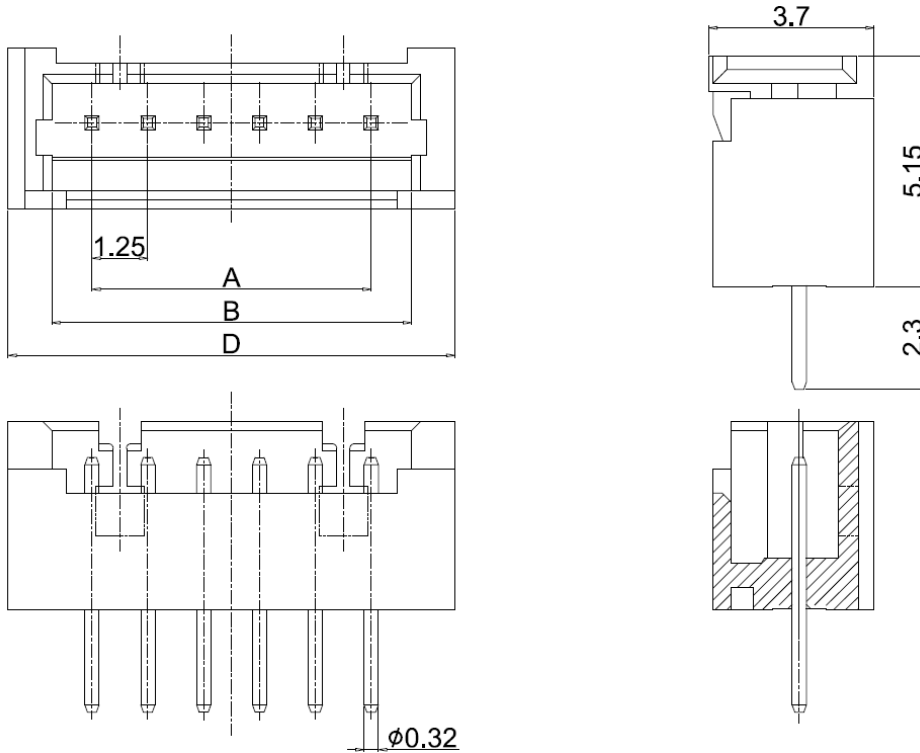
□ Connector Dimension/ 12512WR-NNB



Part No.	Pin	A	B	D
12512WR-02B	2	1.25	3.05	5.00
12512WR-04B	4	3.75	5.55	7.50
12512WR-05B	5	5.00	6.80	8.75
12512WR-06B	6	6.25	8.05	10.00
12512WR-08B	8	8.75	10.55	12.50
12512WR-10B	10	11.25	13.05	15.00
12512WR-12B	12	13.75	15.55	17.50
12512WR-14B	14	16.25	18.05	20.00
12512WR-16B	16	18.75	20.55	22.50

※ Contact Yeonho Sales representative if considering use of non-specified circuits

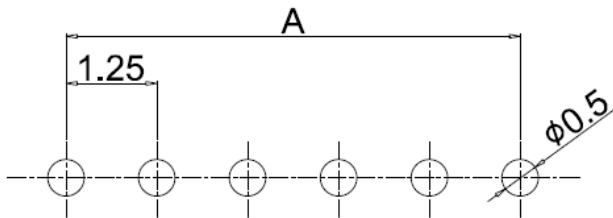
□ Connector Dimension/ 12512WS-NNB



Part No.	Pin	A	B	D
12512WS-02B	2	1.25	3.05	5.00
12512WS-04B	4	3.75	5.55	7.50
12512WS-05B	5	5.00	6.80	8.75
12512WS-06B	6	6.25	8.05	10.00
12512WS-08B	8	8.75	10.55	12.50
12512WS-10B	10	11.25	13.05	15.00
12512WS-12B	12	13.75	15.55	17.50
12512WS-14B	14	16.25	18.05	20.00
12512WS-16B	16	18.75	20.55	22.50

※ Contact Yeonho Sales representative if considering use of non-specified circuits

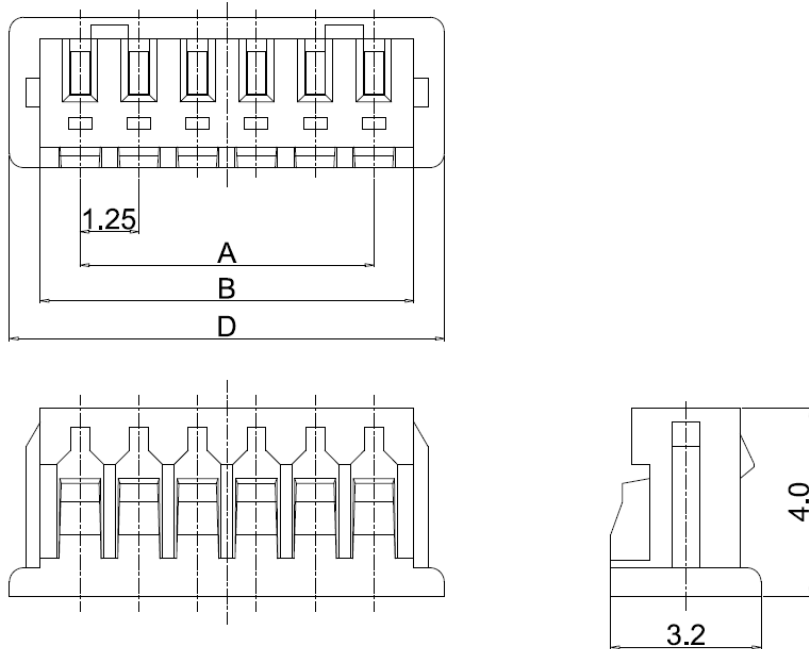
□ PCB Pattern Dimension/ 12512WR-NNB , 12512WS-NNB



Pin	A
2	1.25
4	3.75
5	5.00
6	6.25
8	8.75
10	11.25
12	13.75
14	16.25
16	18.75

※ Contact Yeonho Sales representative if considering use of non-specified circuits

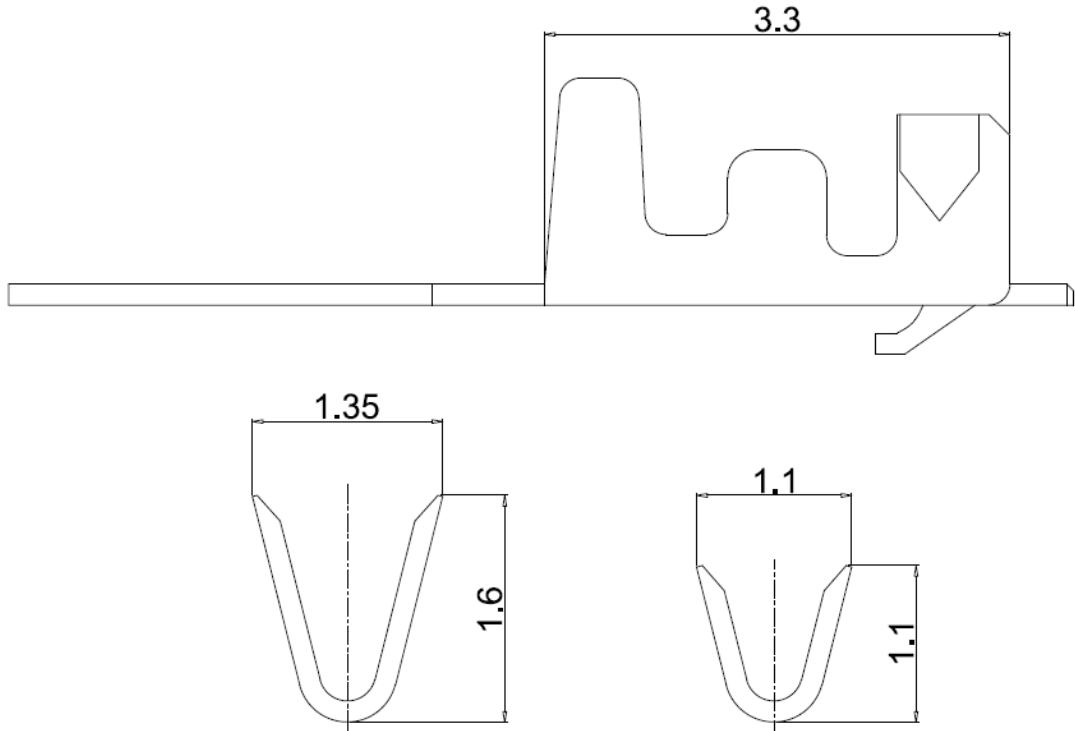
□ Connector Dimension/ 12505HS-NN



Part No.	Pin	A	B	D
12505HS-02	2	1.25	2.95	4.25
12505HS-04	4	3.75	5.45	6.75
12505HS-05	5	5.00	6.70	8.00
12505HS-06	6	6.25	7.95	9.25
12505HS-08	8	8.75	10.45	11.75
12505HS-10	10	11.25	12.95	14.25
12505HS-12	12	13.75	15.45	16.75
12505HS-14	14	16.25	17.95	19.25
12505HS-16	16	18.75	20.45	21.75

※ Contact Yeonho Sales representative if considering use of non-specified circuits

□ Connector Dimension/ 12505TS-1



Part Name	Housing Name	Plating	Wire Size
12505TS-1	12505HS-NN	Sn Plating	AWG #28 ~ #30

※ Contact Yeonho Sales representative if considering use of non-specified circuits